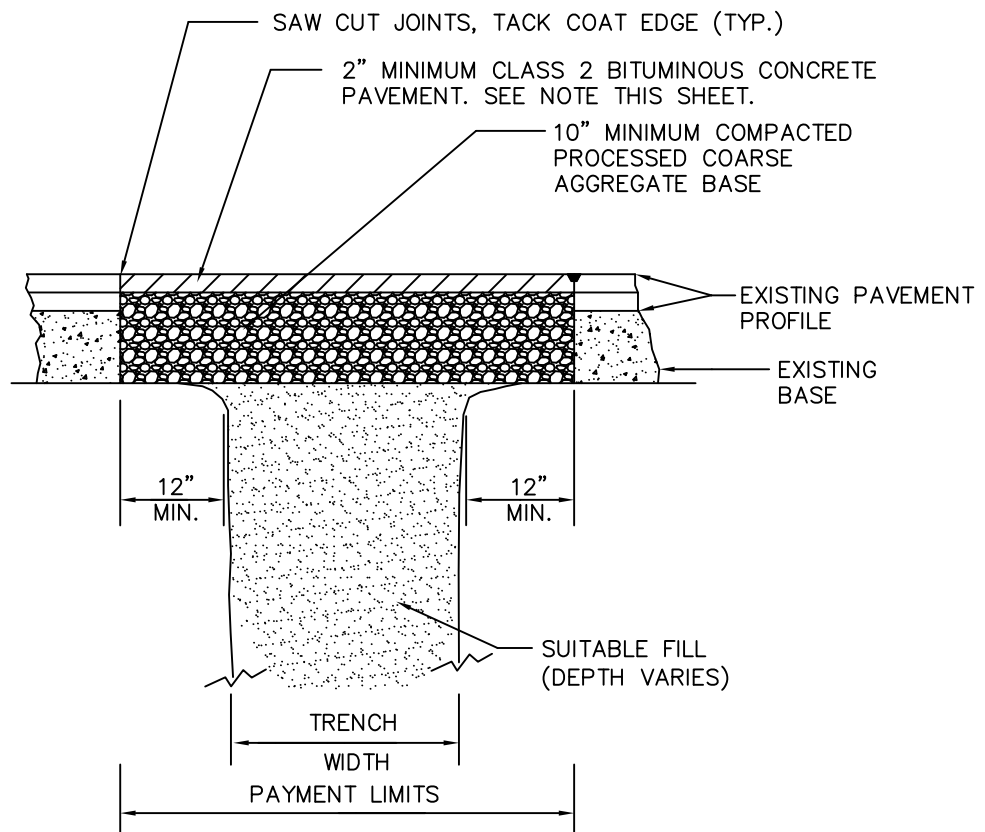


GREATER NEW HAVEN WATER POLLUTION CONTROL AUTHORITY CONSTRUCTION DETAILS



NOTE: AFTER NOVEMBER 15TH, CLASS 5 MIX SHALL BE USED INSTEAD OF CLASS 2



TEMPORARY PAVEMENT REPAIR ON LOCAL ROADS

NTS

REVISIONS	
NO.	DATE
1	JUNE 2008