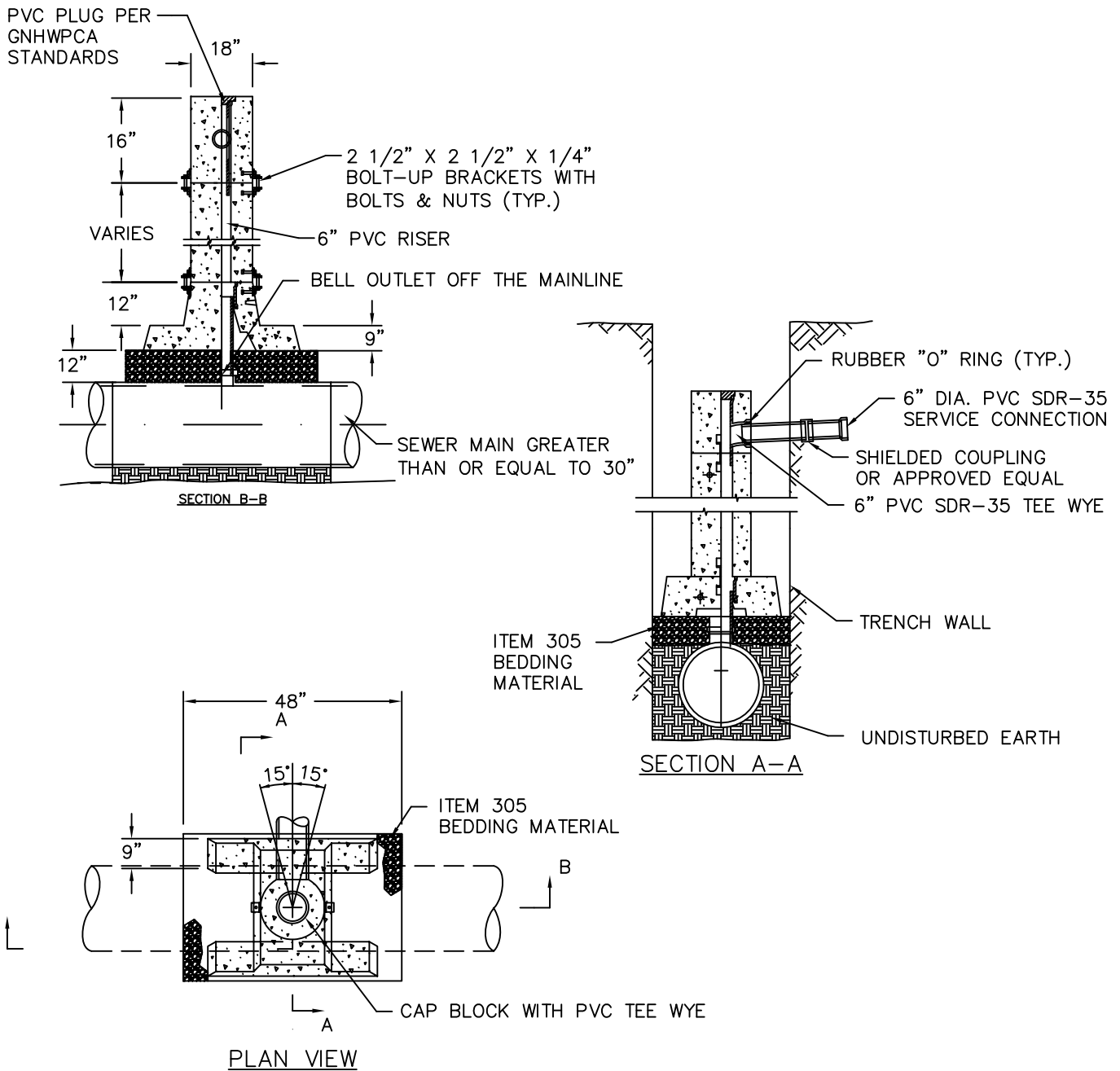


GREATER NEW HAVEN WATER POLLUTION CONTROL AUTHORITY CONSTRUCTION DETAILS



NOTES:

1. THE CONTRACTOR SHALL SUBMIT 5 (FIVE) COPIES OF SHOP DRAWINGS OR CATALOG CUTS FOR APPROVAL BY THE GNHWPCA ENGINEER AND/OR THEIR REPRESENTATIVES. CHIMNEY TO BE PRECAST SEWER CHIMNEY DISTRIBUTED BY ARROW CONCRETE PRODUCTS, OR APPROVED EQUAL.

REVISIONS	
NO.	DATE
1	JUNE 2008
2	MARCH 4, 2009

PRECAST CHIMNEY FOR SEWER PIPE GREATER THAN OR EQUAL TO 30"

NTS