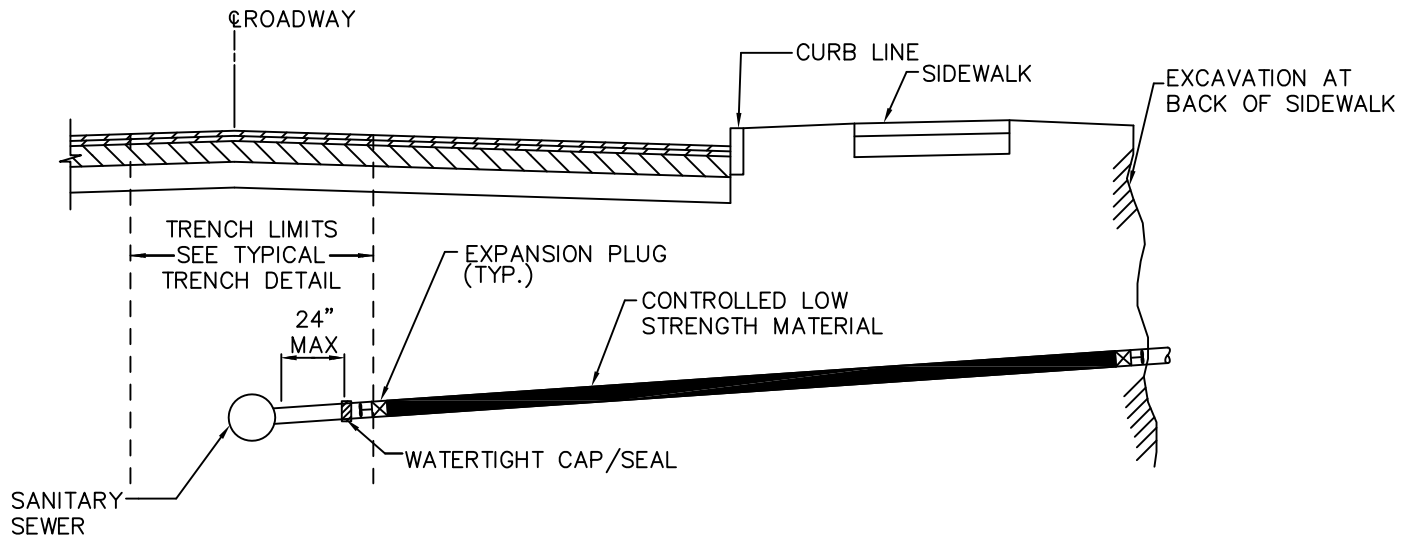


GREATER NEW HAVEN WATER POLLUTION CONTROL AUTHORITY CONSTRUCTION DETAILS



NOTE:

1. EXCAVATE AS NECESSARY AT BACK OF SIDEWALK AND AT SEWER MAIN.
2. INSTALL PROPERLY SIZED EXPANSION JOINT PLUGS INTO ABANDONED SEWER LATERAL AS INDICATED – 24 INCHES FROM SANITARY SEWER.
3. FILL SEWER LATERAL WITH CONTROLLED LOW STRENGTH MATERIAL AS INDICATED.
4. SEAL SEWER LATERAL HUB WITH MALE ADAPTER AND CAP OR WITH SECOND EXPANSION JOINT OR AS APPROVED BY THE GNHWPCA IN THE FIELD.
5. BACKFILL AS REQUIRED.

REVISIONS	
NO.	DATE
1	JUNE 2008

PLUGGING SEWER LATERALS – EXCAVATION METHOD

NTS