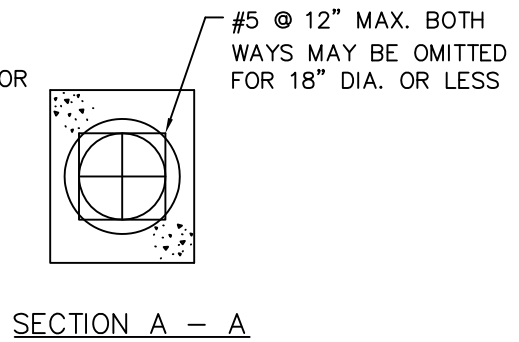
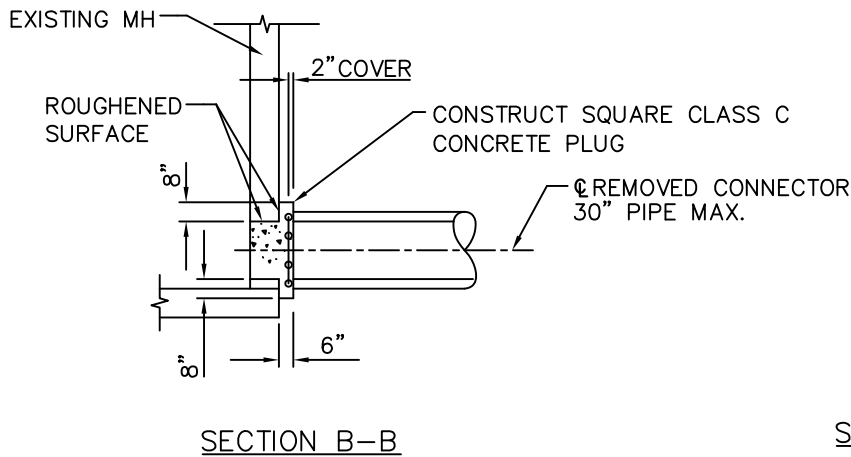
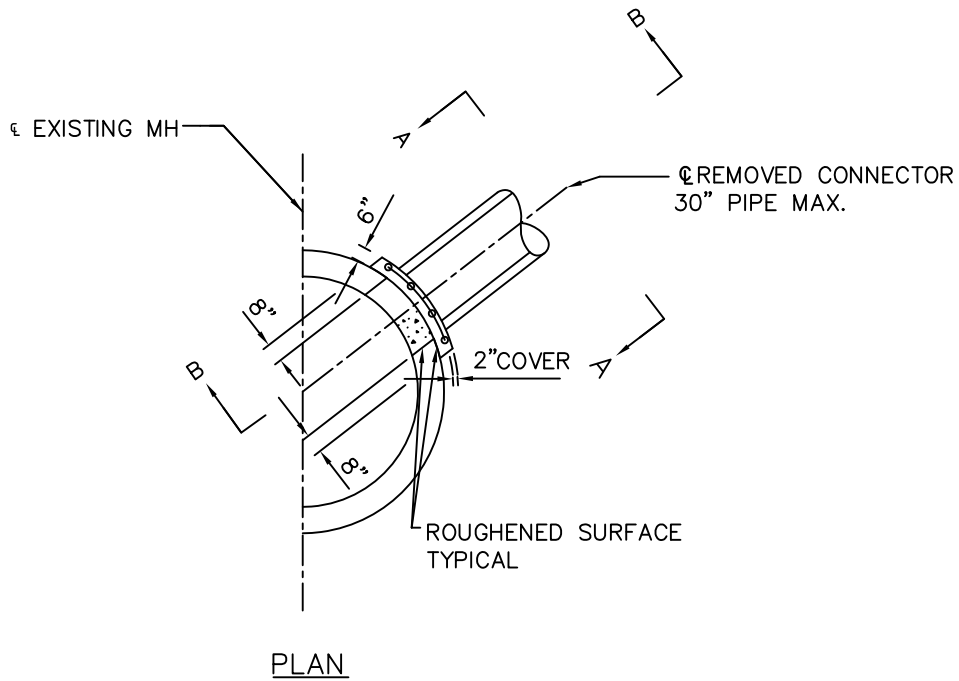


# GREATER NEW HAVEN WATER POLLUTION CONTROL AUTHORITY CONSTRUCTION DETAILS



## PIPE PLUG AT MANHOLE NTS

REVISIONS	
NO.	DATE
1	JUNE 2008