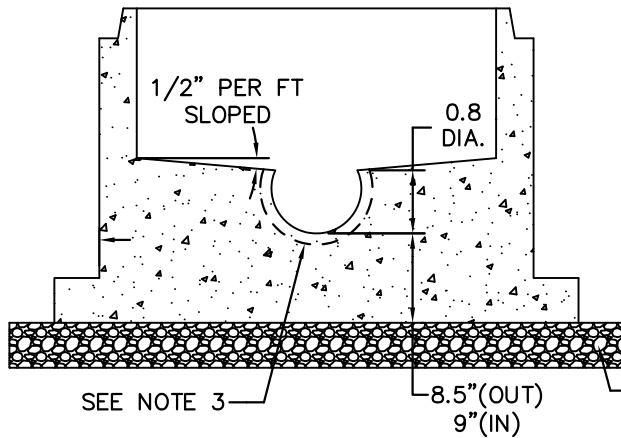


# GREATER NEW HAVEN WATER POLLUTION CONTROL AUTHORITY CONSTRUCTION DETAILS

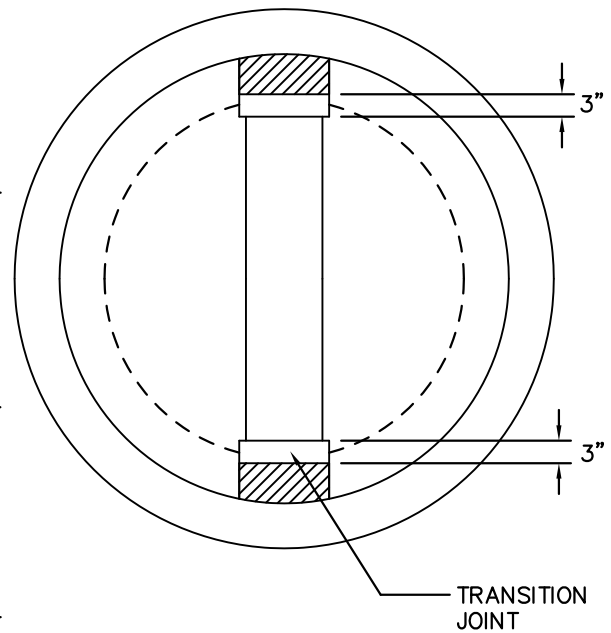
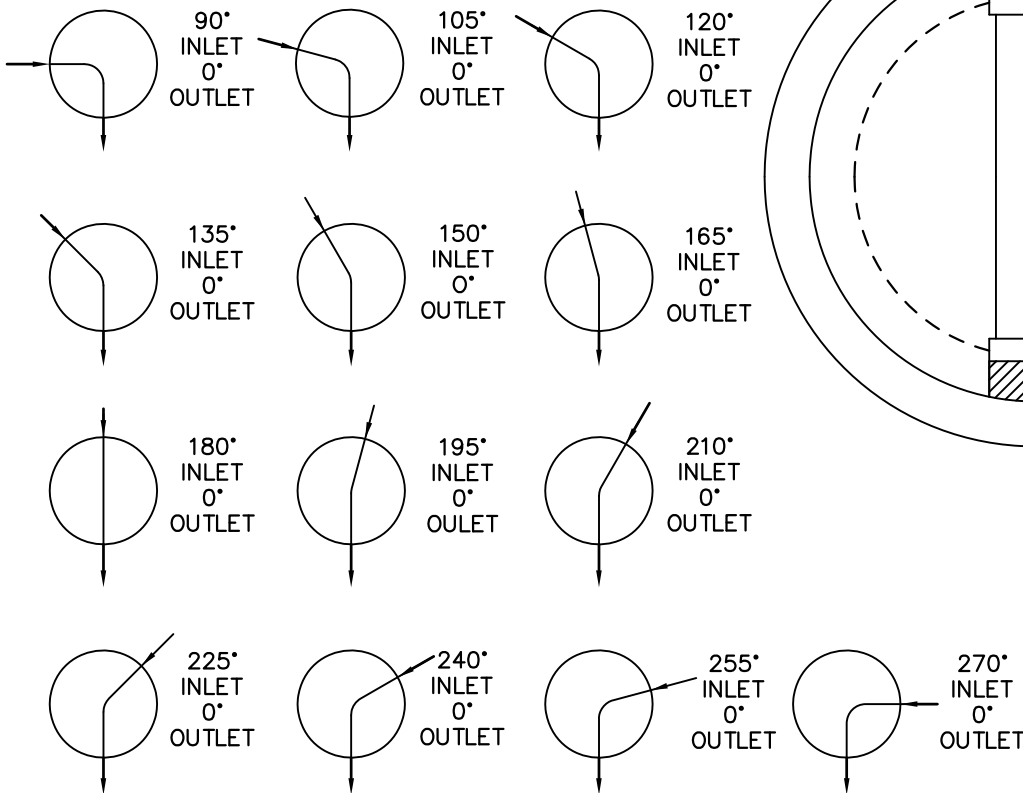


MANHOLE DESIGN SPECIFICATION SHALL CONFORM TO LATEST ASTM DESIGNATION C478

**NOTES:**

1. CONCRETE COMPRESSIVE STRENGTH- 4000 PSI AT 28 DAYS.
2. PRECAST BASE SECTION IS MONOLITHIC.
3. DASHED LINE INDICATES MORTAR TRANSITION JOINT ON STANDARD INVERT BASES AT INLET AND OUTLET.
4. PRECAST INVERT TO BE BUILT TO 0.8 OF THE DIAMETER OF PIPE.

TYPICAL STANDARD CAST IN PLACE INVERTS:



## MANHOLE BASE WITH PRECAST INVERT NTS

REVISIONS	
NO.	DATE
1	JUNE 2008
2	DEC. 1, 2008