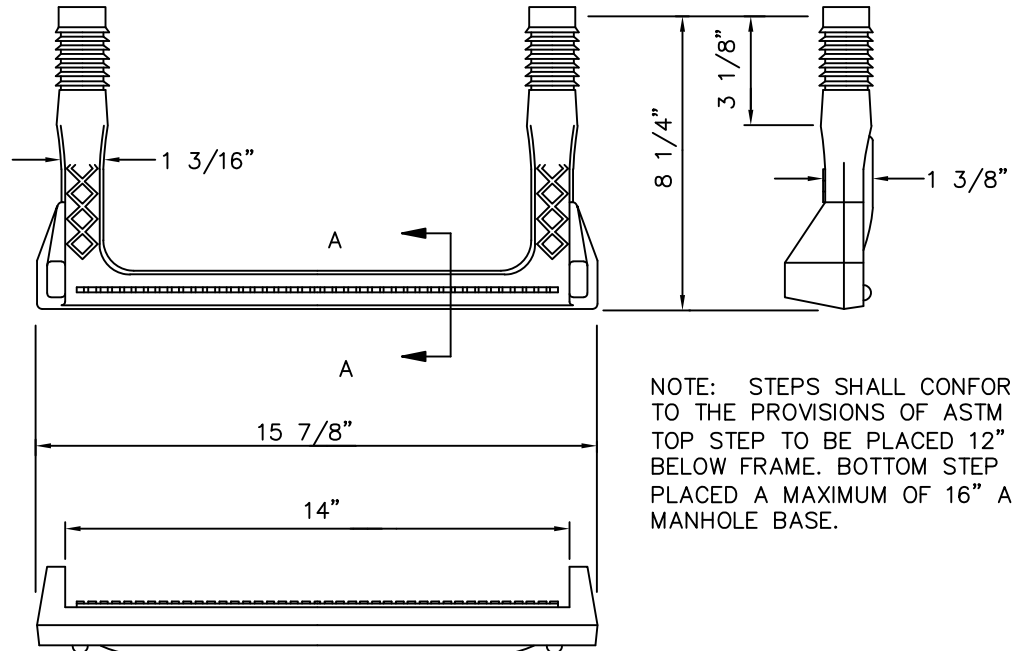
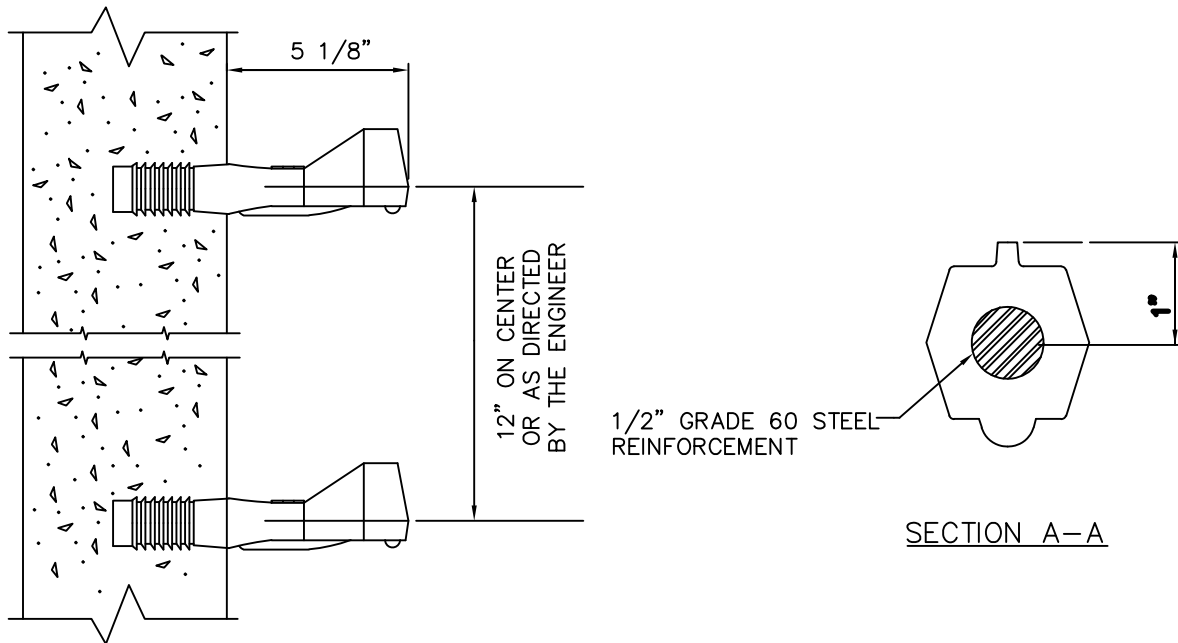


GREATER NEW HAVEN WATER POLLUTION CONTROL AUTHORITY CONSTRUCTION DETAILS



NOTE: STEPS SHALL CONFORM TO THE PROVISIONS OF ASTM C478. TOP STEP TO BE PLACED 12" BELOW FRAME. BOTTOM STEP TO BE PLACED A MAXIMUM OF 16" ABOVE MANHOLE BASE.



COPOLYMER POLYPROPYLENE PLASTIC STEEL REINFORCED MANHOLE STEP

NTS

REVISIONS	
NO.	DATE
1	JUNE 2008
2	JAN. 7, 2010