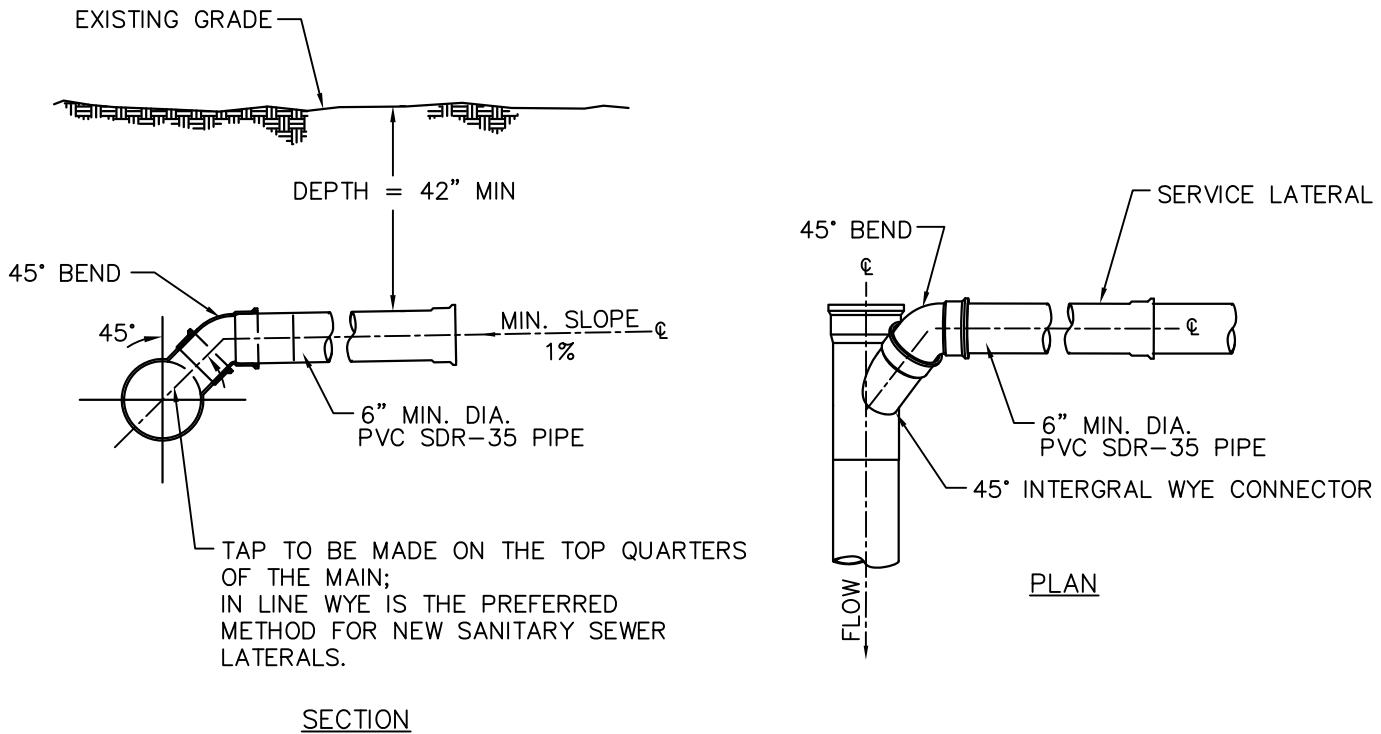


GREATER NEW HAVEN WATER POLLUTION CONTROL AUTHORITY CONSTRUCTION DETAILS



NOTES:

1. SANITARY SEWER LATERALS SHALL NOT BE RE-USED UNLESS APPROVED BY THE AUTHORITY.
2. ALL PIPING SHALL BE LAID WITH CARE IN ACCORDANCE WITH GNHWPCA STANDARD SPECIFICATIONS, AS AMENDED.
3. APPROPRIATE BEDDING AND BACKFILL SHALL BE AS RECOMMENDED BY THE GNHWPCA.
4. GRANULAR FILL AND BEDDING MATERIAL SHALL CONFORM TO GNHWPCA STANDARD SPECIFICATIONS.
5. SHIELDED COUPLINGS ARE REQUIRED ON ALL DISSIMILAR PIPE TRANSITIONS, COUPLING SHALL BE MISSION FLEX-SEAL ARC COUPLINGS, OR APPROVED EQUAL.
6. NEW LATERALS SHALL BE CONSTRUCTED WITH INTEGRAL WYES. NEW CONNECTION TO EXISTING SEWER MAINS SHALL BE CORED. DRILL CORE SHALL BE PROPER SIZE PER INSERT MANUFACTURER'S RECOMMENDATION. PIPE INSERTS AND SADDLES SHALL BE MANUFACTURED BY GENERAL ENGINEERING COMPANY GENECO'S "SEALTITE TYPE U" SADDLE OR APPROVED EQUAL.
7. IN NEW SUBDIVISIONS AND OTHER CONSTRUCTION INVOLVING NEW ROADS, INSTALL LATERALS TO 6 FEET BEHIND PROPERTY LINE AT A MINIMUM DEPTH OF 5 FEET FOR SEWERS IN STREET RIGHT-OF-WAY.
8. ALL LATERALS REQUIRE A CLEAN-OUT TO GRADE WITHIN 5 FEET OF THE BUILDING AND EVERY 100 FEET AS NECESSARY.

STANDARD SEWER LATERAL CONNECTION NTS

REVISIONS	
NO.	DATE
4	JANUARY, 2020