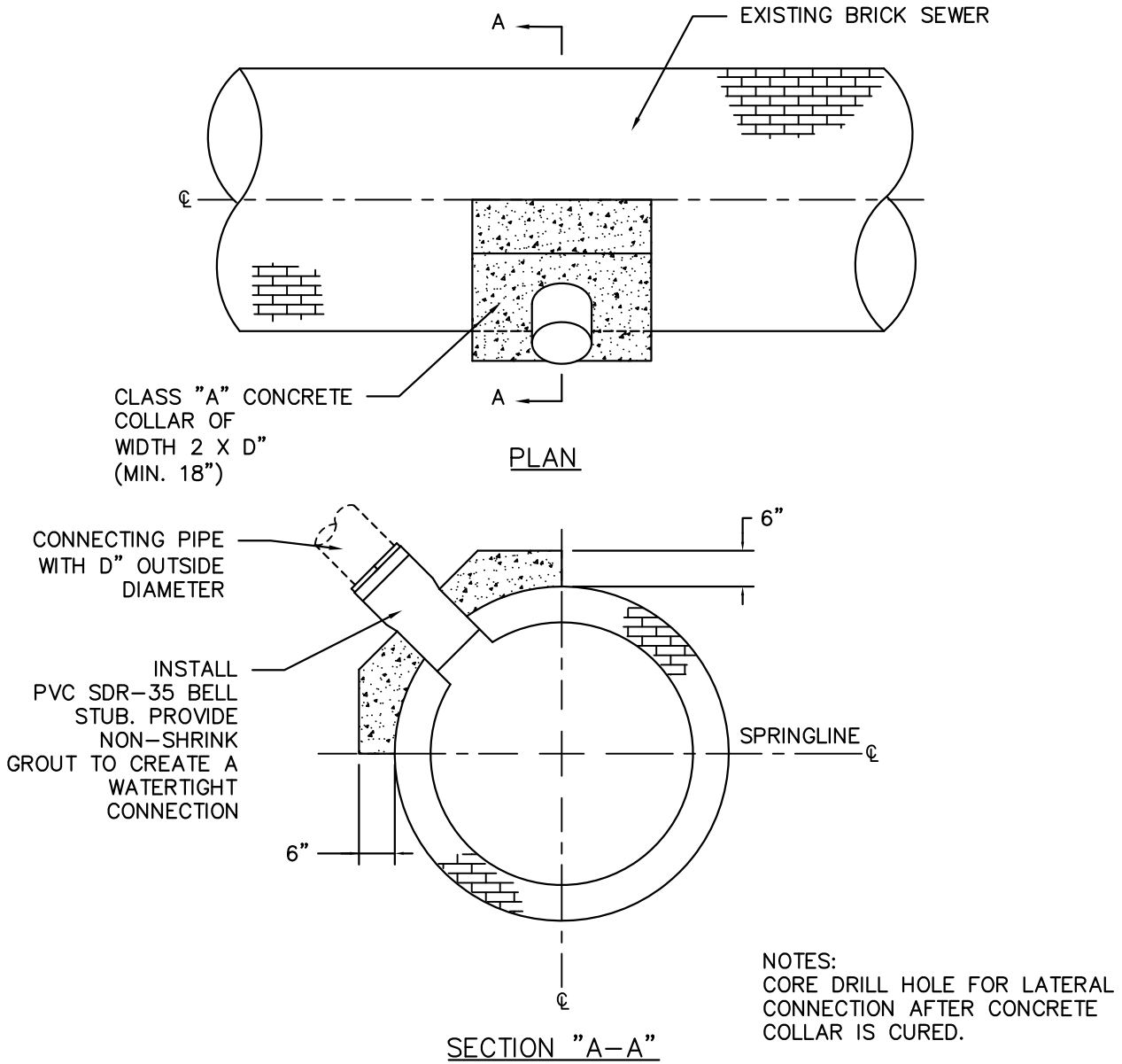


GREATER NEW HAVEN WATER POLLUTION CONTROL AUTHORITY CONSTRUCTION DETAILS



CONNECTION TO BRICK SEWERS NTS

REVISIONS	
NO.	DATE