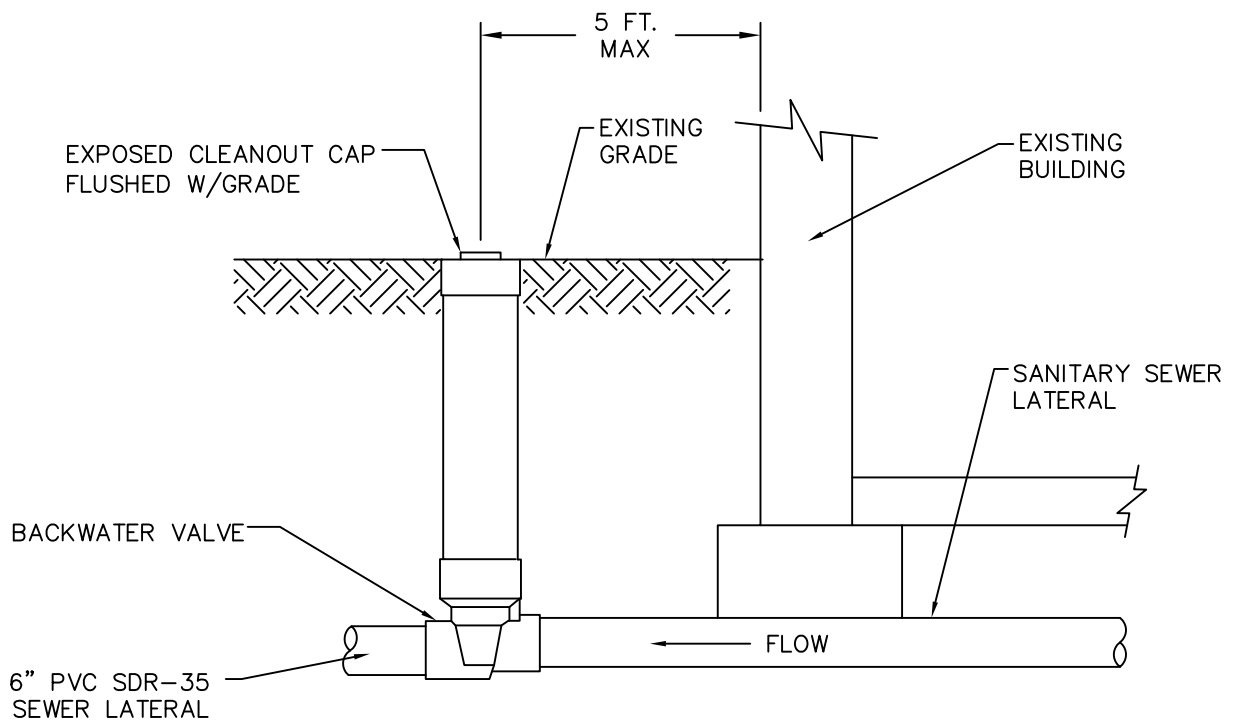


GREATER NEW HAVEN WATER POLLUTION CONTROL AUTHORITY CONSTRUCTION DETAILS



NOTES:

1. BACKWATER VALVE WITH RISER UNIT AS MANUFACTURED BY CLEAN CHECK, INC. OR APPROVED EQUAL.
2. ALL BACKWATER VALVES REQUIRE A CLEANOUT TO GRADE DOWNSTREAM OF THE VALVE WITHIN 5 FEET.

BACKWATER VALVE NTS

REVISIONS	
NO.	DATE
2	JANUARY, 2020