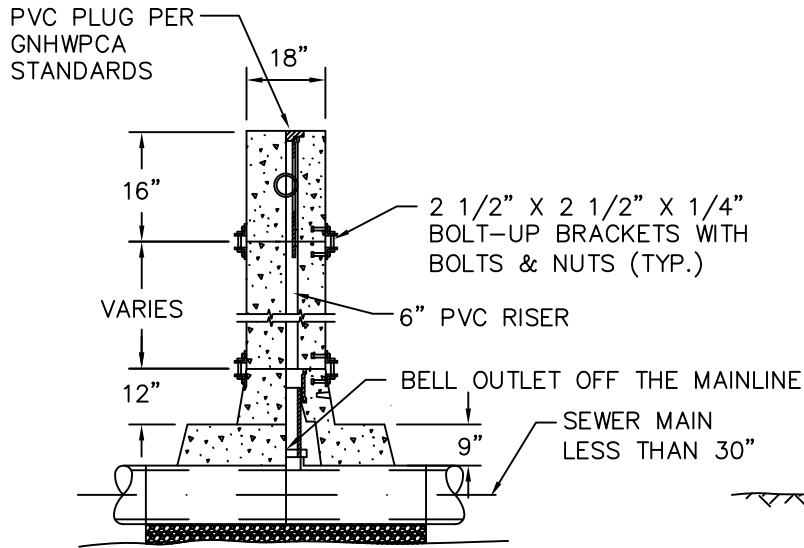
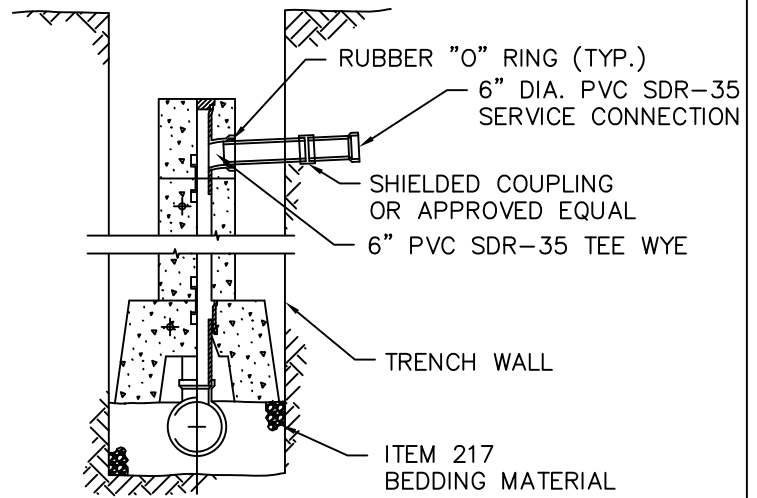


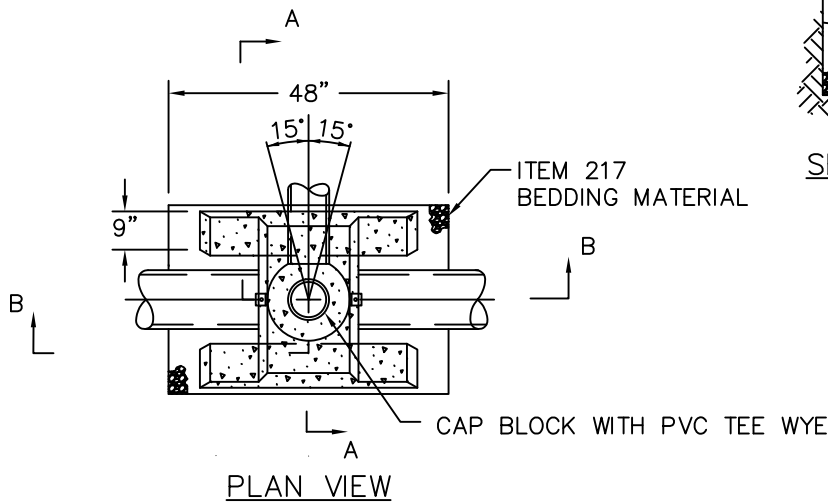
GREATER NEW HAVEN WATER POLLUTION CONTROL AUTHORITY CONSTRUCTION DETAILS



SECTION B-B



SECTION A-A



PLAN VIEW

NOTES:

1. THE CONTRACTOR SHALL SUBMIT 3 (THREE) COPIES OF SHOP DRAWINGS OR CATALOG CUTS FOR APPROVAL BY THE GNHWPCA ENGINEER AND/OR THEIR REPRESENTATIVES. CHIMNEY TO BE PRECAST SEWER CHIMNEY DISTRIBUTED BY ARROW CONCRETE PRODUCTS, OR APPROVED EQUAL.

REVISIONS	
NO.	DATE
3	JANUARY, 2020

PRECAST CHIMNEY FOR
SEWER PIPE LESS THAN 30"
NTS