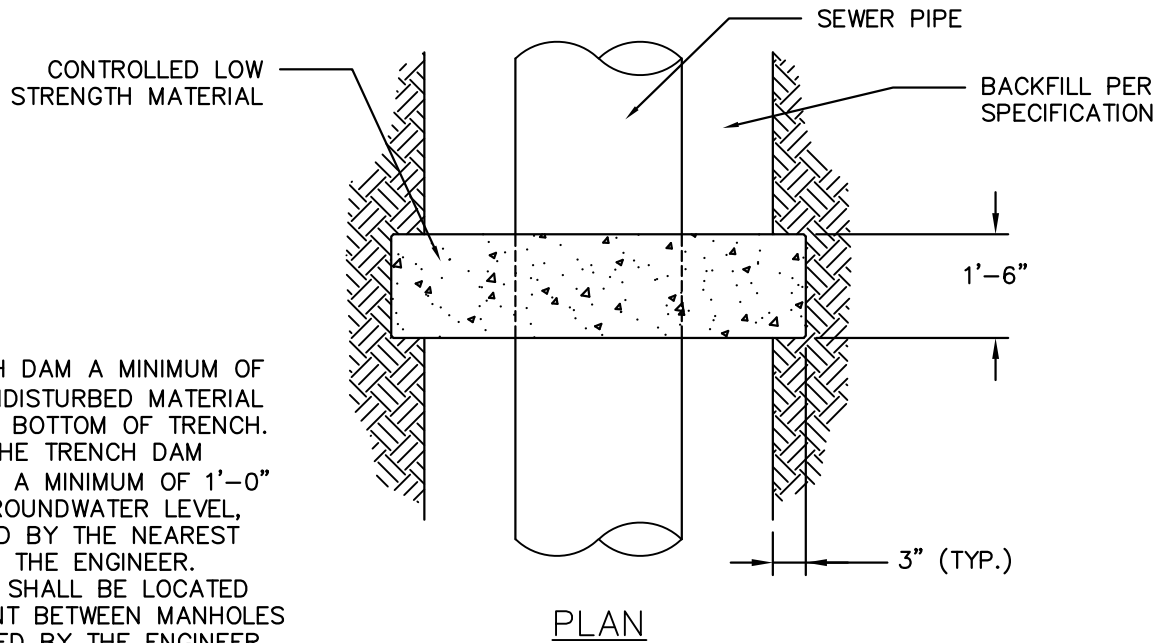
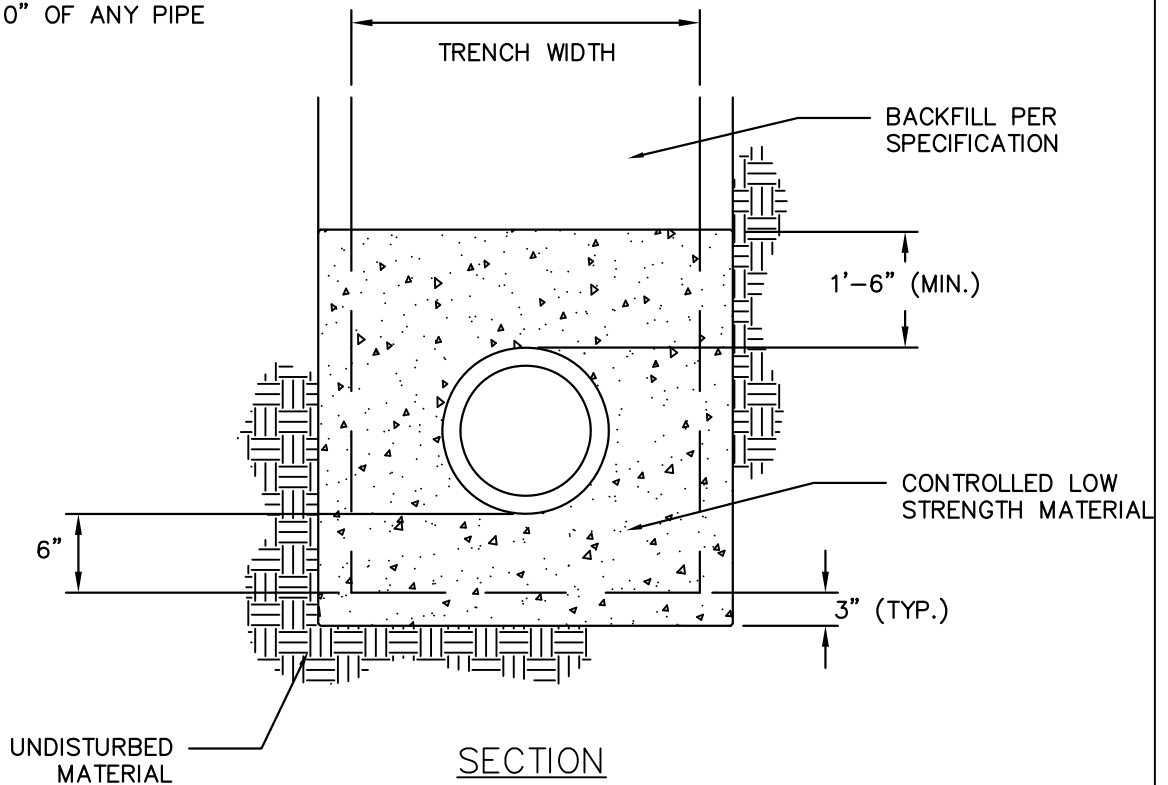


GREATER NEW HAVEN WATER POLLUTION CONTROL AUTHORITY CONSTRUCTION DETAILS



NOTES:

1. NOTCH TRENCH DAM A MINIMUM OF 3" BEYOND UNDISTURBED MATERIAL ON SIDES AND BOTTOM OF TRENCH.
2. THE TOP OF THE TRENCH DAM SHALL EXTEND A MINIMUM OF 1'-0" ABOVE THE GROUNDWATER LEVEL, AS DETERMINED BY THE NEAREST BORING OR BY THE ENGINEER.
3. TRENCH DAMS SHALL BE LOCATED AT A MID POINT BETWEEN MANHOLES OR AS DIRECTED BY THE ENGINEER. TRENCH DAMS SHALL NOT BE PLACED WITHIN 4'-0" OF ANY PIPE JOINT.



TRENCH DAM
NTS

REVISIONS	
NO.	DATE