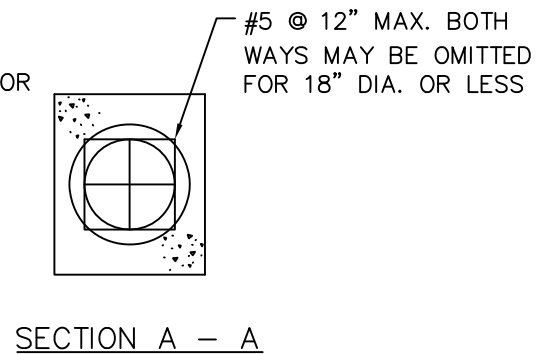
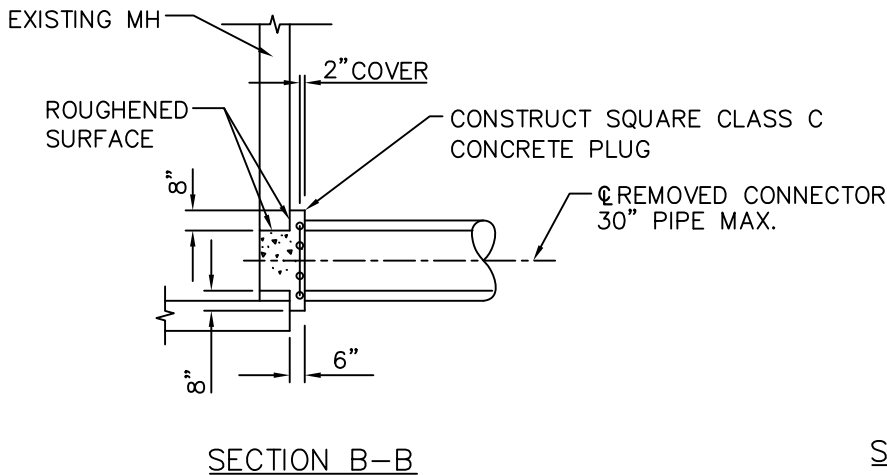
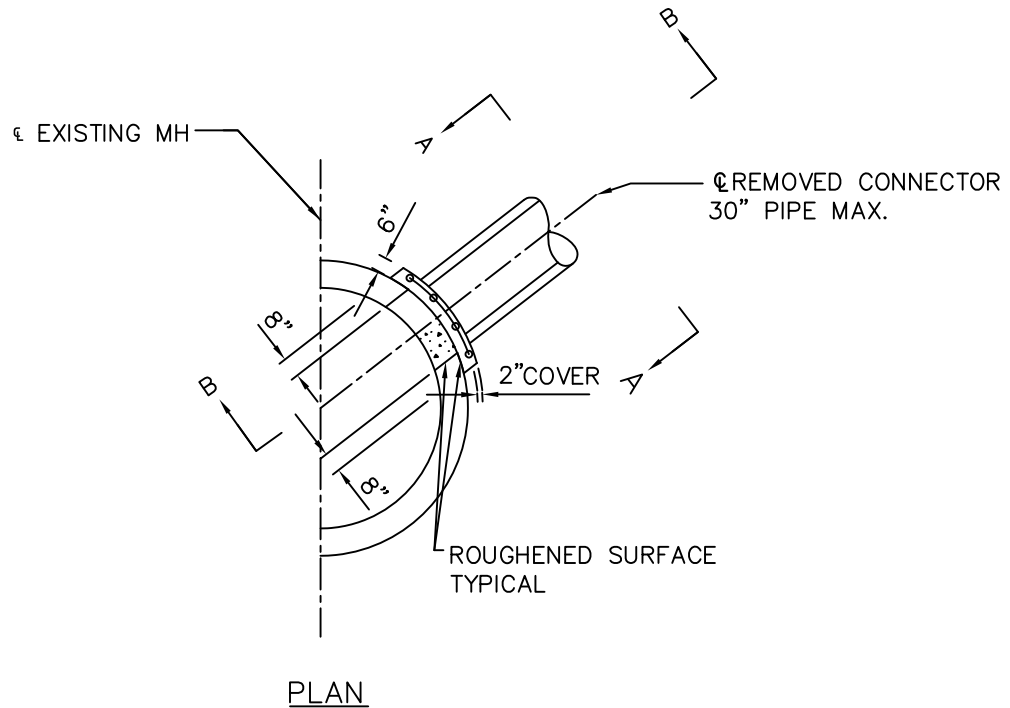


GREATER NEW HAVEN WATER POLLUTION CONTROL AUTHORITY CONSTRUCTION DETAILS



PIPE PLUG AT MANHOLE NTS

REVISIONS	
NO.	DATE