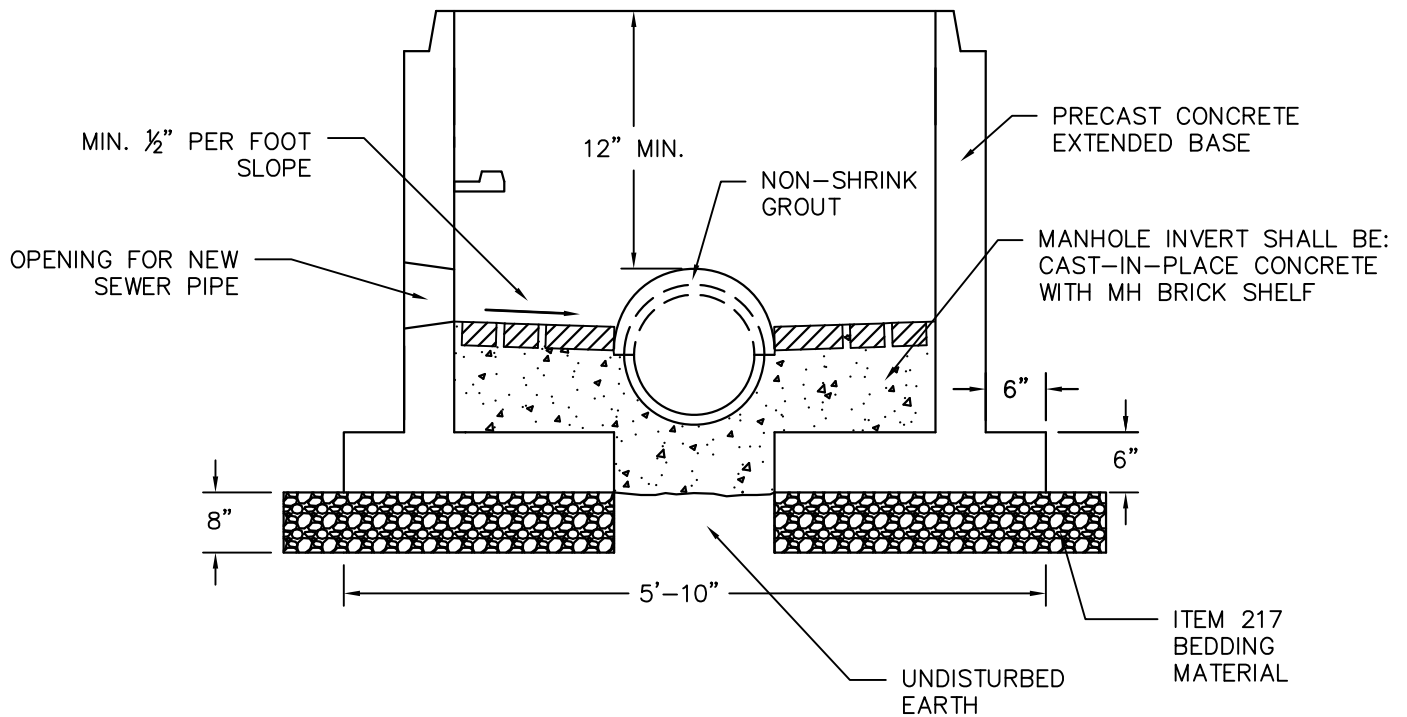


GREATER NEW HAVEN WATER POLLUTION CONTROL AUTHORITY CONSTRUCTION DETAILS



NOTES:

1. MINIMUM 4' DIAMETER MANHOLE. SEE SD523-01 FOR REMAINDER MH DETAILS.
2. DOGHOUSE OPENING MAY ONLY BE USED WHEN PLACING A NEW MANHOLE OVER AN EXISTING LINE; OTHERWISE, THE OPENING MUST BE CAST.
3. OPENINGS IN PRECAST UNITS ARE TO BE 4" MINIMUM TO 8" MAXIMUM LARGER THAN THE OUTSIDE DIAMETER OF THE EXISTING PIPE.
4. TOP HALF OF EXISTING PIPE TO BE REMOVED FOR FULL LENGTH EXPOSED INSIDE MANHOLE. EXISTING MAIN TO BE NEATLY CUT ALONG THE SPRING LINE OF THE PIPE.
5. SEE DETAIL SD523-12 FOR ADDITIONAL INFORMATION.



DOGHOUSE MANHOLE BASE

NTS

REVISIONS	
NO.	DATE
3	JANUARY, 2020