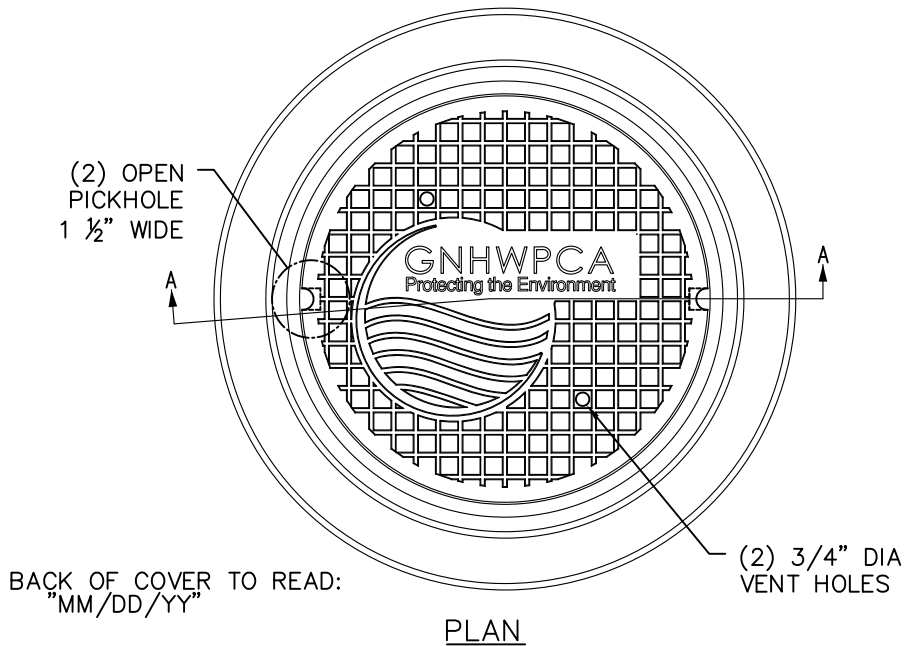
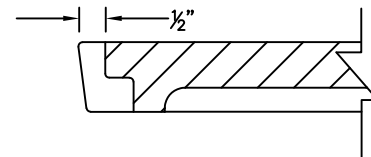
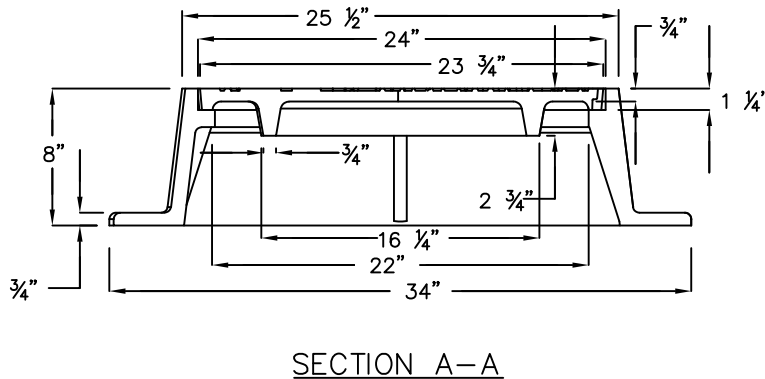


GREATER NEW HAVEN WATER POLLUTION CONTROL AUTHORITY CONSTRUCTION DETAILS



NOTE:

1. GNHWPCA LOGO DESIGN WITH 1" SQUARE FACE PATTERN 1/8" HIGH.
2. AASHTO HS 20 LOAD RATED.
3. ASTM A48 CLASS 35B GRAY CAST IRON WITH NO ASPHALT COATING.
4. PICK HOLES SHALL BE SIZED SUFFICIENTLY FOR EASY REMOVAL OF THE COVER AND CONFORM TO "OPEN PICK HOLE DESIGN"
5. EJ MODEL 1246C OR APPROVED EQUAL



TYPICAL SANITARY SEWER MANHOLE FRAME AND COVER

NTS

REVISIONS	
NO.	DATE