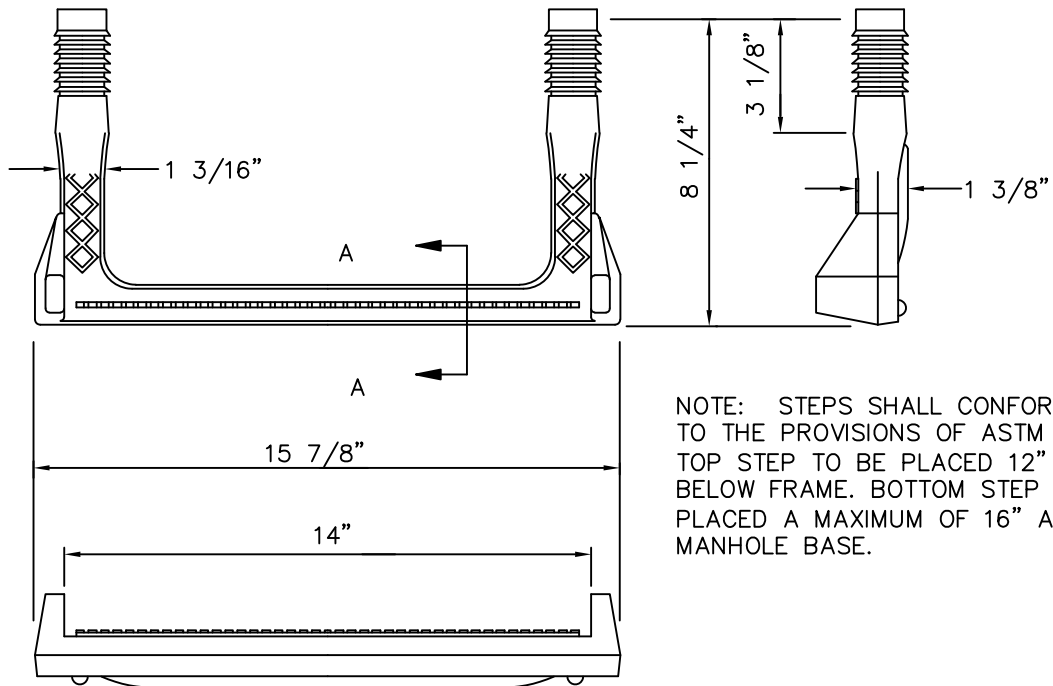
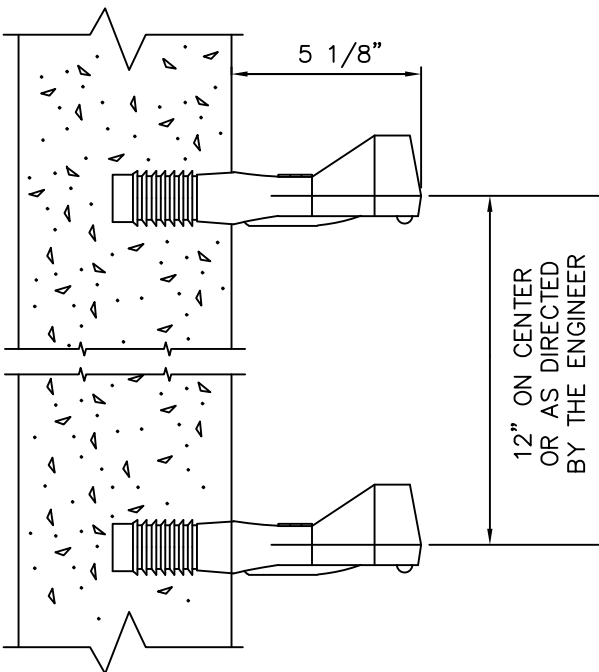


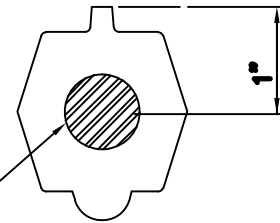
GREATER NEW HAVEN WATER POLLUTION CONTROL AUTHORITY CONSTRUCTION DETAILS



NOTE: STEPS SHALL CONFORM TO THE PROVISIONS OF ASTM C478. TOP STEP TO BE PLACED 12" BELOW FRAME. BOTTOM STEP TO BE PLACED A MAXIMUM OF 16" ABOVE MANHOLE BASE.



1/2" GRADE 60 STEEL REINFORCEMENT



SECTION A-A

COPOLYMER POLYPROPYLENE PLASTIC STEEL REINFORCED MANHOLE STEP

NTS

REVISIONS	
NO.	DATE