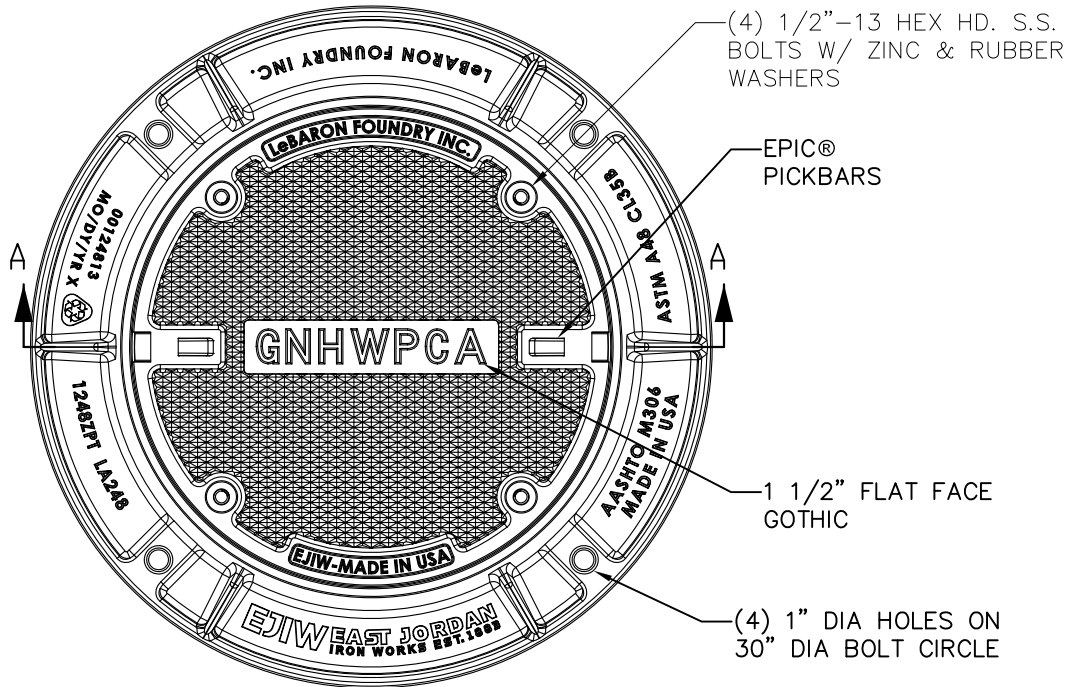
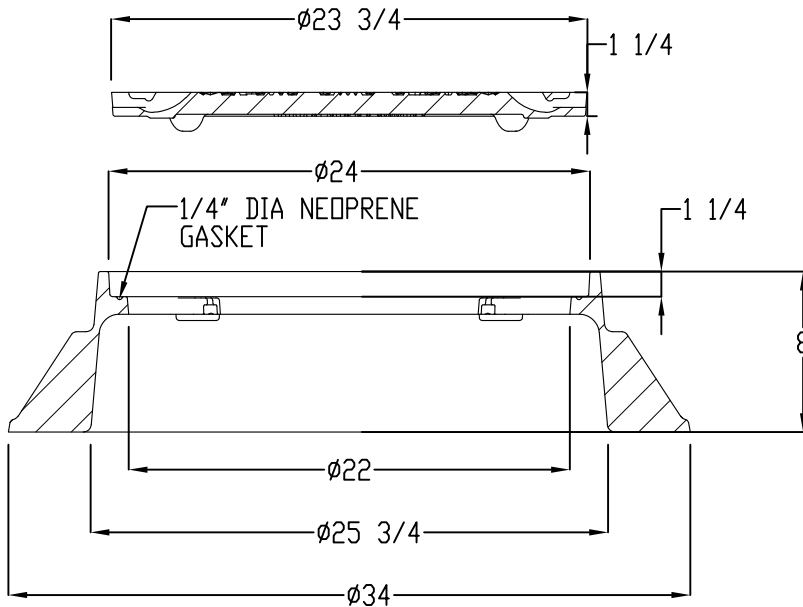


GREATER NEW HAVEN WATER POLLUTION CONTROL AUTHORITY CONSTRUCTION DETAILS



NOTES:

1. AASHTO HS 20 LOAD RATED DESIGN. ASTM A48 CLASS 35B GRAY CAST IRON.
2. EJ GROUP MODEL 1248 OR APPROVED EQUAL.
3. MADE IN USA.



SECTION A - A

STANDARD WATERTIGHT MANHOLE COVER NTS

REVISIONS	
NO.	DATE