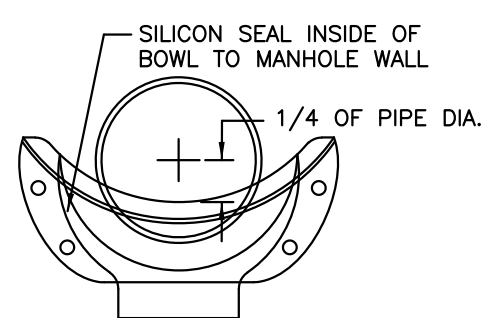
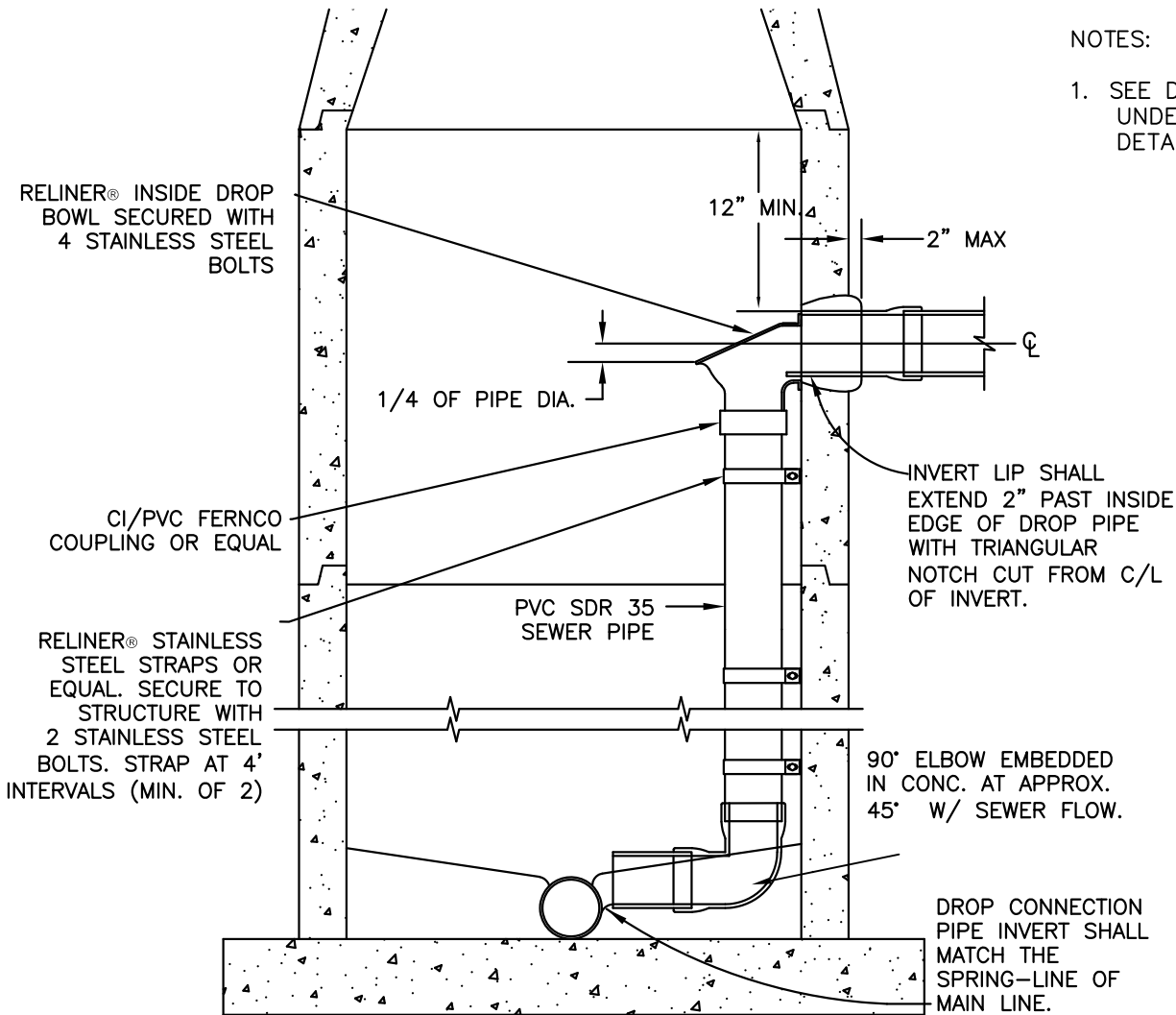


GREATER NEW HAVEN WATER POLLUTION CONTROL AUTHORITY CONSTRUCTION DETAILS



NOTES:

1. SEE DETAIL NOTES UNDER STANDARD DETAIL SD523-09.



DROP BOWL
MOUNTING POSITION



DROP BOWL
W/ HOOD

REVISIONS	
NO.	DATE

MANHOLE INSIDE DROP CONNECTION (1)
NTS