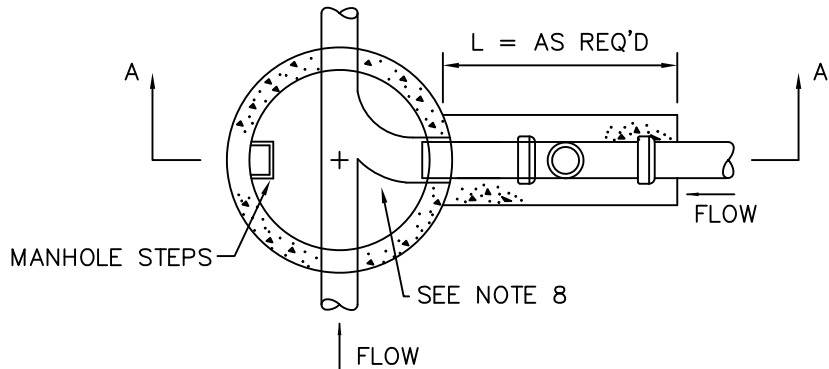


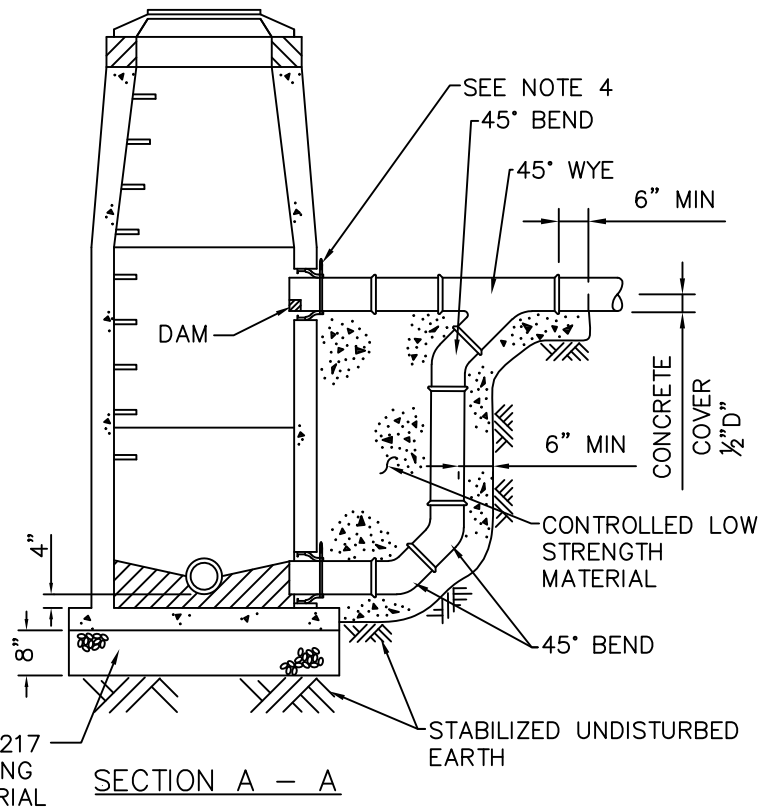
GREATER NEW HAVEN WATER POLLUTION CONTROL AUTHORITY CONSTRUCTION DETAILS



PLAN

NOTES:

1. 4FT MH DIAMETER (MIN)
2. DROP PIPE TO BE THE SAME DIAMETER AS THE SEWER MAIN.
3. DAMS FOR PVC PIPE SHALL BE A HALF PLUG AFFIXED W/ EPOXY. DAMS FOR DI, VC AND RC PIPE SHALL BE MORTAR AND BRICK.
4. PIPE CONNECTIONS THROUGH EXISTING MH WALLS SHALL BE MADE W/ GROUTING RING (WS WATERSTOP) AS MANUFACTURED BY PRESS-SEAL GASKET CORPORATION OR APPROVED EQUAL AND NON-SHRINK GROUT.
5. ALL PIPE CONNECTIONS TO NEW MH WALLS SHALL BE CAST-IN FLEXIBLE WATERTIGHT CONNECTORS MANUFACTURED BY PRESS-SEAL GASKET CORPORATION OR APPROVED EQUAL.
6. PIPES FOR MH DROPS SHALL BE PVC SDR 35 OR AS DIRECTED BY THE ENGINEER.
7. ALL MH CONNECTIONS SHALL BE CORED WITH A CONCRETE CORING MACHINE.
8. INVERT ELEVATION OF DROP SHALL BE WITHIN 2FT. OF MAINLINE INVERT ELEVATION.
9. MH INVERT SHALL BE: FORMED OUT OF MH BRICK, OR CAST-IN-PLACE CONCRETE WITH MH BRICK SHELF/CHANNEL, OR A PRECAST MH BASE. SHELF TO BE BUILT TO 0.8 OF THE DIAMETER OF PIPE EXITING THE MH.



SECTION A - A

DROP SANITARY MANHOLE OVER 5 FT. DROP NTS

REVISIONS	
NO.	DATE
5	JANUARY, 2020