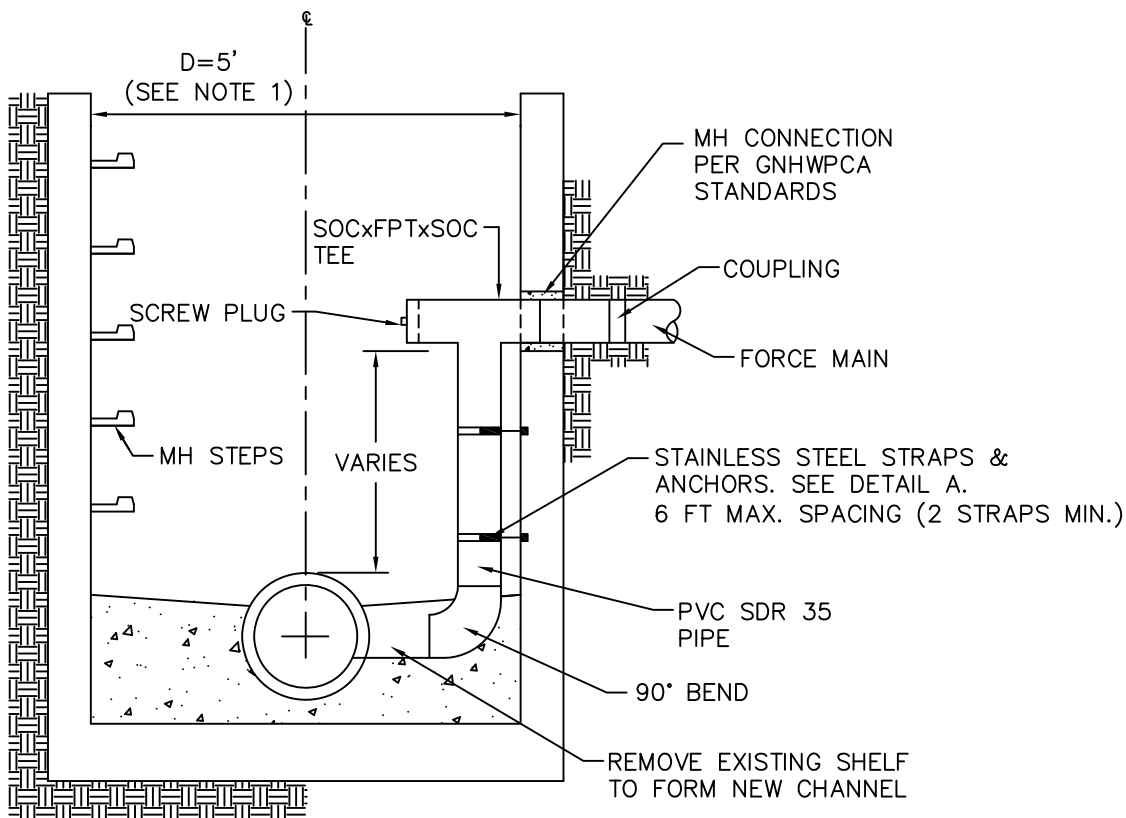
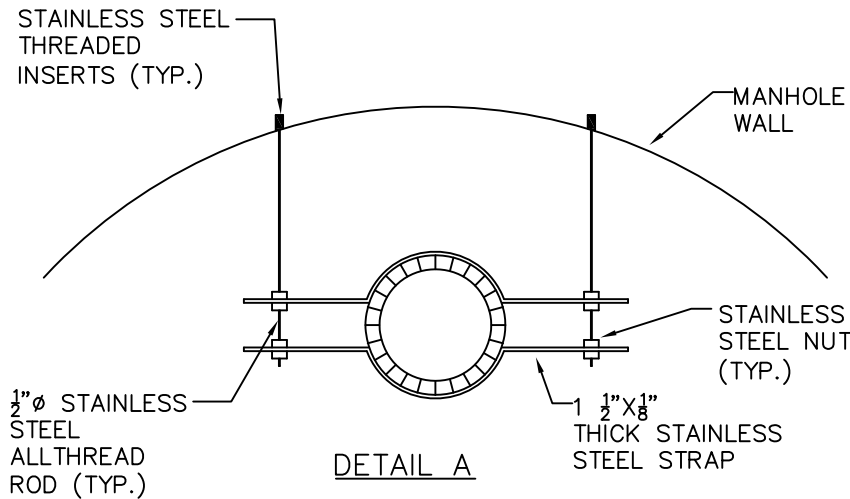


GREATER NEW HAVEN WATER POLLUTION CONTROL AUTHORITY CONSTRUCTION DETAILS



NOTES:

1. THE MINIMUM DIAMETER WILL BE 5' FOR A 2"-6" SEWER. FOR PIPE SIZES GREATER THAN 6", THE MANHOLE DIAMETER WILL NEED TO BE APPROVED BY GNHWPCA ENGINEER.
2. THE CORE CUT HOLE SHALL BE MADE WITH EQUIPMENT SPECIALLY DESIGNED TO CUT A SMOOTH HOLE WITHOUT SPALLING OR DAMAGE TO THE SHELL OR STRUCTURE.
3. PIPE CONNECTIONS THROUGH MH WALLS SHALL BE MADE W/ GROUTING RING (WS WATERSTOP) AS MANUFACTURED BY PRESS-SEAL GASKET CORPORATION OR APPROVED EQUAL AND NON-SHRINK GROUT.
4. MH INVERT SHALL BE FORMED OUT OF MH BRICK. SHELF TO BE BUILT TO 0.8 OF THE DIAMETER THE OF PIPE EXITING THE MH.



TYPICAL FORCE MAIN
CONNECTION TO EXISTING MANHOLE
NTS

REVISIONS	
NO.	DATE