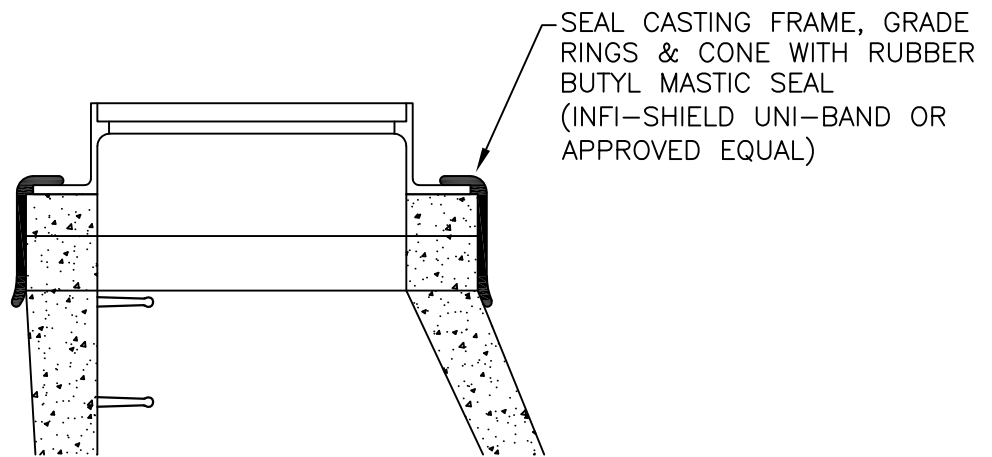
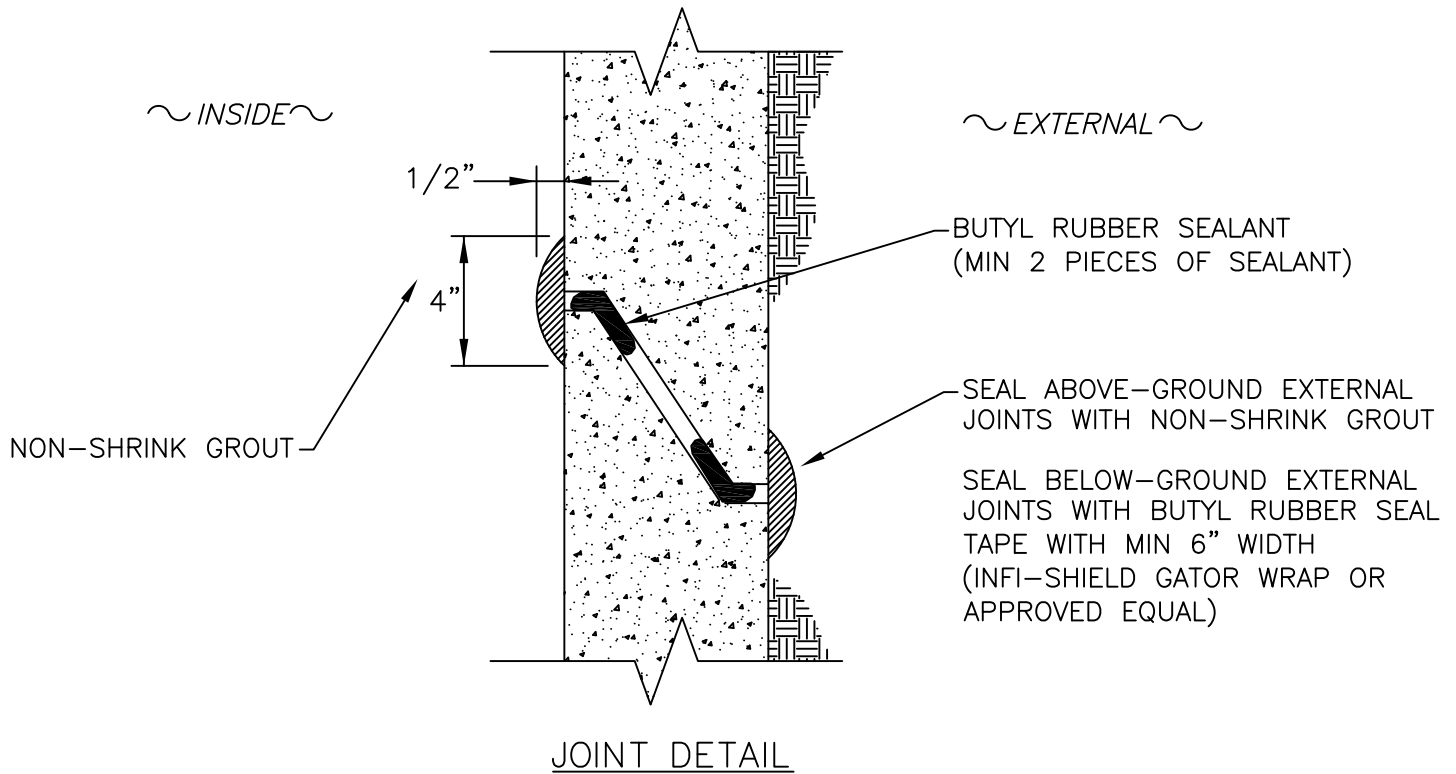


# GREATER NEW HAVEN WATER POLLUTION CONTROL AUTHORITY CONSTRUCTION DETAILS



FRAME AND COVER

## PRECAST MANHOLE JOINT

NTS

REVISIONS	
NO.	DATE